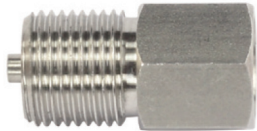


# Accessories of Pressure Gauge

## Model No. Adapter & Union Gauge



Adapter



Union Gauge

### Summary

This union can be used as a screw which has a different type or diameter, or can be used for pipe connection. There exist many kinds up to the size and the usage. It also can be used for connecting when the standard of screw of running side and accessory side are different. Those accessories' performance and lifespan are dependent on selection of the gauge, correct installation and using method. Therefore, before installing a pressure gauge, it is important to select a proper accessory for purpose of use.

### Purpose of Use

- For the connection of different types of screw, screw with different inclination and for pipe
- When installing a pressure gauge in a panel
- Connecting with pressure piping

### Production Specification

- ▶ Materials
  - Brass
  - Steel (Ni-plating)
  - Stainless Steel
- ▶ Connection

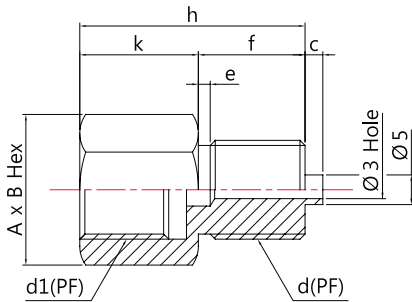
Material	Gauge	Pipe
BS	PF · PT	PF · PT 1/4, 3/8, 1/2
STS	1/4, 3/8, 1/2	For pipe connection

### Product Specification

- + Body
  - Brass · · · BSBM
  - Steel · · · STS 316
- + Gasket-Inlet
  - Brass · · · Teflon
  - Steel · · · Teflon
- + Washer
  - Brass · · · BSBM
  - St, St · · · STS 316

### Model No. | SS-AD01 Adapter (Female x Male)

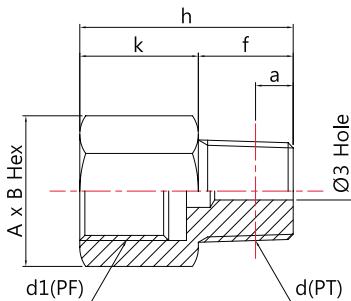
Dimensions (mm)



Model No.	Con'n(d1)	Con'n(d)	AxB Hex	k	f	L	e
Adapter (PFxPF)	PF 1/4	PF 1/4	19 x 21.9	18	16	34	2
	PF 1/4	PF 3/8	19 x 21.9	18	18	36	2
	PF 1/4	PF 1/2	22 x 25.4	18	20	38	2
	PF 3/8	PF 1/4	22 x 25.4	20	16	36	2
	PF 3/8	PF 3/8	22 x 25.4	20	18	38	2
	PF 3/8	PF 1/2	22 x 25.4	20	20	40	2
	PF 1/2	PF 1/4	27 x 31.1	22	16	38	2
	PF 1/2	PF 3/8	27 x 31.1	22	18	40	2
PF 1/2	PF 1/2	27 x 31.1	22	20	42	2	

### Model No. | SS-AD02 Adapter (Female x Male)

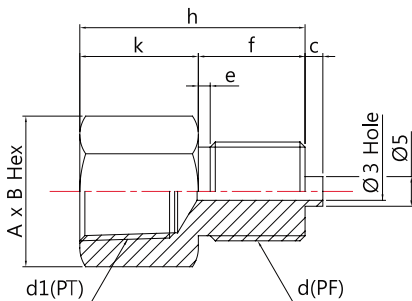
Dimensions (mm)



Model No.	Con'n(d1)	Con'n(d)	AxB Hex	k	f	L	a
Adapter (PFxPT)	PF 1/4	PT 1/4	19 x 21.9	18	14	32	6.01
	PF 1/4	PT 3/8	19 x 21.9	18	16	34	6.35
	PF 1/4	PT 1/2	22 x 25.4	18	18	36	8.16
	PF 3/8	PT 1/4	22 x 25.4	20	14	34	6.01
	PF 3/8	PT 3/8	22 x 25.4	20	16	36	6.35
	PF 3/8	PT 1/2	22 x 25.4	20	18	36	8.16
	PF 1/2	PT 1/4	27 x 31.1	22	14	36	6.01
	PF 1/2	PT 3/8	27 x 31.1	22	16	38	6.35
PF 1/2	PT 1/2	27 x 31.1	22	18	40	8.16	

### Model No. | SS-AD03 Adapter (Female x Male)

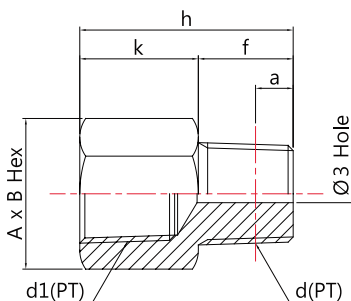
Dimensions (mm)



Model No.	Con'n(d1)	Con'n(d)	AxB Hex	k	f	L	e
Adapter (PTxPF)	PT 1/4	PF 1/4	19 x 21.9	16	16	32	2
	PT 1/4	PF 3/8	19 x 21.9	16	16	34	2
	PT 1/4	PF 1/2	22 x 25.4	16	16	36	2
	PT 3/8	PF 1/4	22 x 25.4	18	18	34	2
	PT 3/8	PF 3/8	22 x 25.4	18	18	36	2
	PT 3/8	PF 1/2	22 x 25.4	18	18	38	2
	PT 1/2	PF 1/4	27 x 31.1	20	20	36	2
	PT 1/2	PF 3/8	27 x 31.1	20	20	38	2
	PT 1/2	PF 1/2	27 x 31.1	20	20	40	2

### Model No. | SS-AD04 Adapter (Female x Male)

Dimensions (mm)

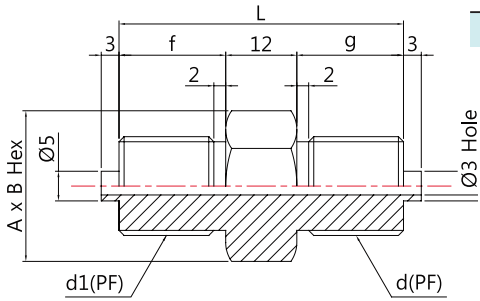


Model No.	Con'n(d1)	Con'n(d)	AxB Hex	k	f	L	e
Adapter (PTxPT)	PT 1/4	PT 1/4	19 x 21.9	16	14	30	6.01
	PT 1/4	PT 3/8	19 x 21.9	16	16	32	6.35
	PT 1/4	PT 1/2	22 x 25.4	16	18	34	8.16
	PT 3/8	PT 1/4	22 x 25.4	18	18	32	6.01
	PT 3/8	PT 3/8	22 x 25.4	18	18	34	6.35
	PT 3/8	PT 1/2	22 x 25.4	18	18	36	8.16
	PT 1/2	PT 1/4	27 x 31.1	20	20	34	6.01
	PT 1/2	PT 3/8	27 x 31.1	20	20	36	6.35
	PT 1/2	PT 1/2	27 x 31.1	20	20	38	8.16

# Accessories of Pressure Gauge

## Model No. Adapter & Union Gauge

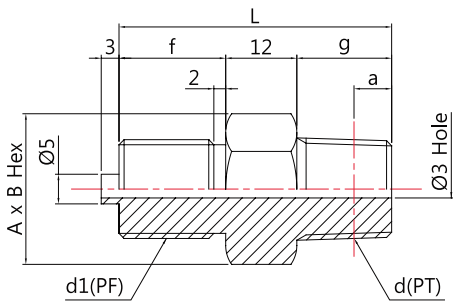
### Model No. | SS-AD05 Adapter (Male x Male)



Dimensions (mm)

Model No.	Con'n(d1)	Con'n(d)	AxB Hex	k	f	L	e	e1
Adapter (PFxPF)	PF 1/4	PF 1/4	19 x 21.9	16	16	44	2	2
	PF 1/4	PF 3/8	19 x 21.9	16	18	46	2	2
	PF 1/4	PF 1/2	22 x 25.4	16	20	48	2	2
	PF 3/8	PF 1/4	22 x 25.4	18	16	46	2	2
	PF 3/8	PF 3/8	22 x 25.4	18	18	48	2	2
	PF 3/8	PF 1/2	22 x 25.4	18	20	50	2	2
	PF 1/2	PF 1/4	27 x 31.1	20	16	48	2	2
	PF 1/2	PF 3/8	27 x 31.1	20	18	50	2	2
	PF 1/2	PF 1/2	27 x 31.1	20	20	52	2	2

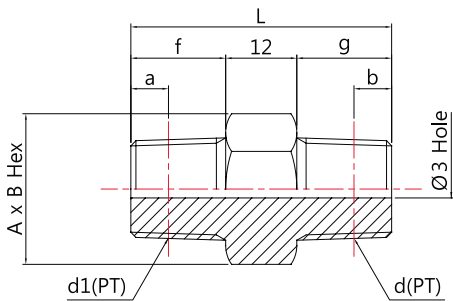
### Model No. | SS-AD06 Adapter (Male x Male)



Dimensions (mm)

Model No.	Con'n(d1)	Con'n(d)	AxB Hex	k	f	L	e	a
Adapter (PFxPT)	PF 1/4	PT 1/4	19 x 21.9	16	14	42	2	6.01
	PF 1/4	PT 3/8	19 x 21.9	16	16	44	2	6.35
	PF 1/4	PT 1/2	22 x 25.4	16	18	46	2	8.16
	PF 3/8	PT 1/4	22 x 25.4	18	14	44	2	6.01
	PF 3/8	PT 3/8	22 x 25.4	18	16	46	2	6.35
	PF 3/8	PT 1/2	22 x 25.4	18	18	48	2	8.16
	PF 1/2	PT 1/4	27 x 31.1	20	14	46	2	6.01
	PF 1/2	PT 3/8	27 x 31.1	20	16	48	2	6.35
	PF 1/2	PT 1/2	27 x 31.1	20	18	50	2	8.16

### Model No. | SS-AD07 Adapter (Male x Male)

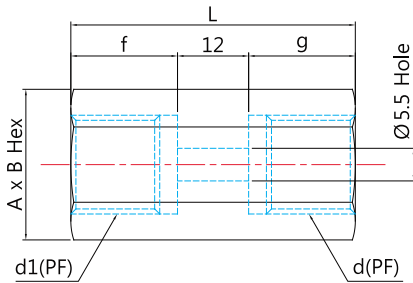


Dimensions (mm)

Model No.	Con'n(d1)	Con'n(d)	AxB Hex	k	f	L	a	b
Adapter (PTxPT)	PT 1/4	PT 1/4	19 x 21.9	16	14	30	6.01	6.01
	PT 1/4	PT 3/8	19 x 21.9	16	16	32	6.35	6.35
	PT 1/4	PT 1/2	22 x 25.4	16	18	34	8.16	8.16
	PT 3/8	PT 1/4	22 x 25.4	18	14	32	6.01	6.01
	PT 3/8	PT 3/8	22 x 25.4	18	16	34	6.35	6.35
	PT 3/8	PT 1/2	22 x 25.4	18	18	36	8.16	8.16
	PT 1/2	PT 1/4	27 x 31.1	20	14	34	6.01	6.01
	PT 1/2	PT 3/8	27 x 31.1	20	16	36	6.35	6.35
	PT 1/2	PT 1/2	27 x 31.1	20	18	38	8.16	8.16

### Model No. | SS-AD08 Adapter (Female x Female)

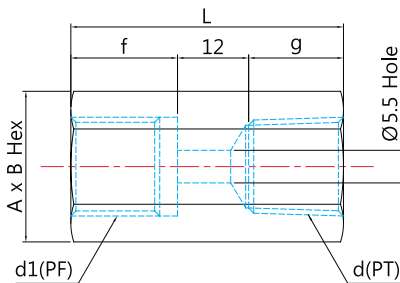
Dimensions (mm)



Model No.	Con'n(d1)	Con'n(d)	AxB Hex	f	g	L
Adapter (PFxPF)	PF 1/4	PF 1/4	19 x 21,9	16	16	44
	PF 1/4	PF 3/8	22 x 25,4	16	18	46
	PF 1/4	PF 1/2	27 x 31,1	16	20	48
	PF 3/8	PF 1/4	22 x 25,4	18	16	46
	PF 3/8	PF 3/8	22 x 25,4	18	18	48
	PF 3/8	PF 1/2	27 x 31,1	18	20	50
	PF 1/2	PF 1/4	27 x 31,1	20	16	48
	PF 1/2	PF 3/8	27 x 31,1	20	18	50
	PF 1/2	PF 1/2	27 x 31,1	20	20	52

### Model No. | SS-AD09 Adapter (Female x Female)

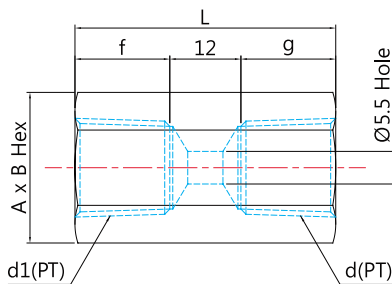
Dimensions (mm)



Model No.	Con'n(d1)	Con'n(d)	AxB Hex	f	g	L
Adapter (PFxPT)	PF 1/4	PT 1/4	19 x 21,9	16	14	42
	PF 1/4	PT 3/8	22 x 25,4	16	16	44
	PF 1/4	PT 1/2	27 x 31,1	16	18	46
	PF 3/8	PT 1/4	22 x 25,4	18	14	44
	PF 3/8	PT 3/8	22 x 25,4	18	16	46
	PF 3/8	PT 1/2	27 x 31,1	18	18	48
	PF 1/2	PT 1/4	27 x 31,1	20	14	46
	PF 1/2	PT 3/8	27 x 31,1	20	16	48
	PF 1/2	PT 1/2	27 x 31,1	20	18	50

### Model No. | SS-AD10 Adapter (Female x Female)

Dimensions (mm)



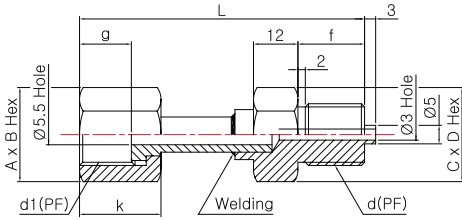
Model No.	Con'n(d1)	Con'n(d)	AxB Hex	f	g	L
Adapter (PTxPT)	PT 1/4	PT 1/4	19 x 21,9	16	14	30
	PT 1/4	PT 3/8	22 x 25,4	16	16	32
	PT 1/4	PT 1/2	27 x 31,1	16	18	34
	PT 3/8	PT 1/4	22 x 25,4	18	14	32
	PT 3/8	PT 3/8	22 x 25,4	18	16	34
	PT 3/8	PT 1/2	27 x 31,1	18	18	36
	PT 1/2	PT 1/4	27 x 31,1	20	14	34
	PT 1/2	PT 3/8	27 x 31,1	20	16	36
	PT 1/2	PT 1/2	27 x 31,1	20	18	38

# Accessories of Pressure Gauge

## Model No. Adapter & Union Gauge

### Model No. | SS-GU01 Union Gauge (Female x Male)

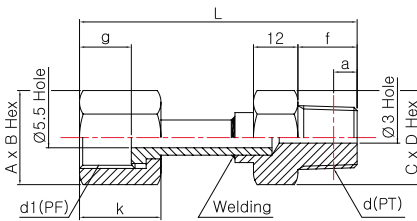
Dimensions (mm)



Model No.	Con'n(d1)	Con'n(d)	AxB Hex	AxB Hex	g	k	f	L
Union Gauge (PF x PF)	PF 3/8	PF 1/4	22 x 25.4	19 x 21.9	14	22	16	75
	PF 3/8	PF 3/8	22 x 25.4	19 x 21.9	14	22	18	77
	PF 3/8	PF 1/2	22 x 25.4	22 x 25.4	14	22	20	79
	PF 1/2	PF 1/4	27 x 31.1	19 x 21.9	16	24	16	77
	PF 1/2	PF 3/8	27 x 31.1	19 x 21.9	16	24	18	79
	PF 1/2	PF 1/2	27 x 31.1	22 x 25.4	16	24	20	81

### Model No. | SS-GU02 Union Gauge (Female x Male)

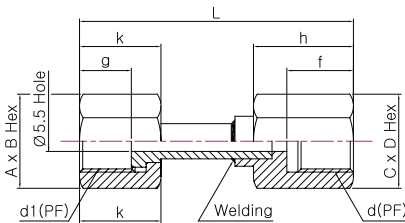
Dimensions (mm)



Model No.	Con'n(d1)	Con'n(d)	AxB Hex	AxB Hex	g	k	f	a	L
Union Gauge (PF x PT)	PF 3/8	PT 1/4	22 x 25.4	19 x 21.9	14	22	14	6.01	73
	PF 3/8	PT 3/8	22 x 25.4	19 x 21.9	14	22	16	6.35	75
	PF 3/8	PT 1/2	22 x 25.4	22 x 25.4	14	22	18	8.16	77
	PF 1/2	PT 1/4	27 x 31.1	19 x 21.9	16	24	14	6.01	75
	PF 1/2	PT 3/8	27 x 31.1	19 x 21.9	16	24	16	6.35	77
	PF 1/2	PT 1/2	27 x 31.1	22 x 25.4	16	24	18	8.16	79

### Model No. | SS-GU03 Union Gauge (Female x Female)

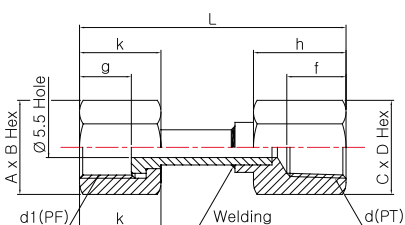
Dimensions (mm)



Model No.	Con'n(d1)	Con'n(d)	AxB Hex	CxD Hex	g	k	f	h	L
Union Gauge (PF x PF)	PF 3/8	PF 1/4	22 x 25.4	19 x 21.9	14	22	16	25	74
	PF 3/8	PF 3/8	22 x 25.4	19 x 21.9	14	22	18	27	76
	PF 3/8	PF 1/2	22 x 25.4	22 x 25.4	14	22	20	29	78
	PF 1/2	PF 1/4	27 x 31.1	19 x 21.9	16	24	16	25	76
	PF 1/2	PF 3/8	27 x 31.1	19 x 21.9	16	24	18	27	78
	PF 1/2	PF 1/2	27 x 31.1	22 x 25.4	16	24	20	29	80

### Model No. | SS-GU04 Union Gauge (Female x Female)

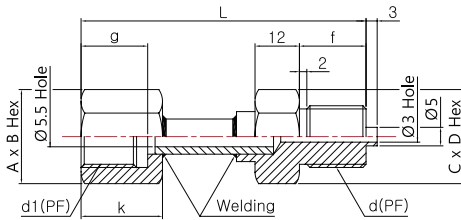
Dimensions (mm)



Model No.	Con'n(d1)	Con'n(d)	AxB Hex	CxD Hex	g	k	f	h	L
Union Gauge (PF x PT)	PF 3/8	PT 1/4	22 x 25.4	19 x 21.9	14	22	14	23	72
	PF 3/8	PT 3/8	22 x 25.4	19 x 21.9	14	22	16	25	74
	PF 3/8	PT 1/2	22 x 25.4	22 x 25.4	14	22	18	27	76
	PF 1/2	PT 1/4	27 x 31.1	19 x 21.9	16	24	14	23	74
	PF 1/2	PT 3/8	27 x 31.1	19 x 21.9	16	24	16	25	76
	PF 1/2	PT 1/2	27 x 31.1	22 x 25.4	16	24	18	27	78

### Model No. | SS-GU05 Union Gauge (Female x Male)

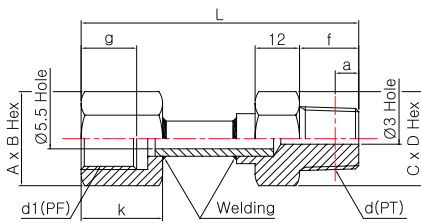
Dimensions (mm)



Model No.	Con'n(d1)	Con'n(d)	AxB Hex	AxB Hex	g	k	f	L
Union Gauge (PF x PF)	PF 3/8	PF 1/4	22 x 25,4	19 x 21,9	18	22	16	75
	PF 3/8	PF 3/8	22 x 25,4	19 x 21,9	18	22	18	77
	PF 3/8	PF 1/2	22 x 25,4	22 x 25,4	18	22	20	79
	PF 1/2	PF 1/4	27 x 31,1	19 x 21,9	20	24	16	77
	PF 1/2	PF 3/8	27 x 31,1	19 x 21,9	20	24	18	79
	PF 1/2	PF 1/2	27 x 31,1	22 x 25,4	20	24	20	81

### Model No. | SS-GU06 Union Gauge (Female x Male)

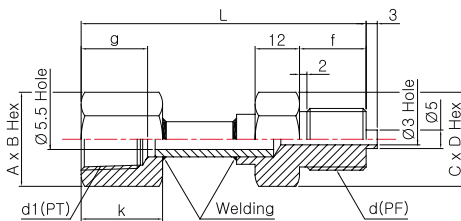
Dimensions (mm)



Model No.	Con'n(d1)	Con'n(d)	AxB Hex	AxB Hex	g	k	f	L
Union Gauge (PF x PT)	PF 3/8	PT 1/4	22 x 25,4	19 x 21,9	18	22	14	73
	PF 3/8	PT 3/8	22 x 25,4	19 x 21,9	18	22	16	75
	PF 3/8	PT 1/2	22 x 25,4	22 x 25,4	18	22	18	77
	PF 1/2	PT 1/4	27 x 31,1	19 x 21,9	20	24	14	75
	PF 1/2	PT 3/8	27 x 31,1	19 x 21,9	20	24	16	77
	PF 1/2	PT 1/2	27 x 31,1	22 x 25,4	20	24	18	79

### Model No. | SS-GU07 Union Gauge (Female x Male)

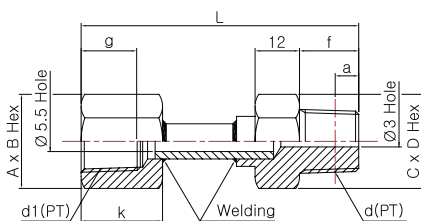
Dimensions (mm)



Model No.	Con'n(d1)	Con'n(d)	AxB Hex	AxB Hex	g	k	f	L
Union Gauge (PT x PF)	PT 3/8	PF 1/4	22 x 25,4	19 x 21,9	16	22	14	75
	PT 3/8	PF 3/8	22 x 25,4	19 x 21,9	16	22	16	77
	PT 3/8	PF 1/2	22 x 25,4	22 x 25,4	16	22	18	79
	PT 1/2	PF 1/4	27 x 31,1	19 x 21,9	18	24	14	77
	PT 1/2	PF 3/8	27 x 31,1	19 x 21,9	18	24	16	79
	PT 1/2	PF 1/2	27 x 31,1	22 x 25,4	18	24	18	81

### Model No. | SS-GU08 Union Gauge (Female x Male)

Dimensions (mm)



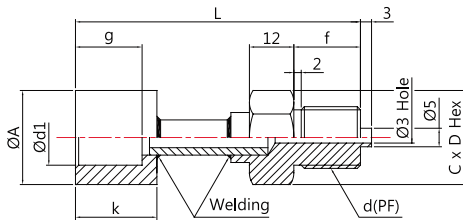
Model No.	Con'n(d1)	Con'n(d)	AxB Hex	AxB Hex	g	k	f	L
Union Gauge (PT x PT)	PT 3/8	PT 1/4	22 x 25,4	19 x 21,9	16	22	14	73
	PT 3/8	PT 3/8	22 x 25,4	19 x 21,9	16	22	16	75
	PT 3/8	PT 1/2	22 x 25,4	22 x 25,4	16	22	18	77
	PT 1/2	PT 1/4	27 x 31,1	19 x 21,9	18	24	14	75
	PT 1/2	PT 3/8	27 x 31,1	19 x 21,9	18	24	16	77
	PT 1/2	PT 1/2	27 x 31,1	22 x 25,4	18	24	18	79

# Accessories of Pressure Gauge

## Model No. Adapter & Union Gauge

### Model No. | SS-GU09 Union Gauge (Pipe x Male)

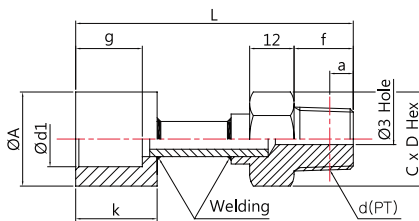
Dimensions (mm)



Model No.	Con'n(d1)	Con'n(d)	AxB Hex	g	k	f	L
Union Gauge (Pipe x PF)	Ø6	PF 1/4	19 x 21,9	8	15	16	53
	Ø6	PF 3/8	19 x 21,9	8	15	18	55
	Ø6	PF 1/2	22 x 25,4	8	15	20	57
	Ø8	PF 1/4	19 x 21,9	8	15	16	53
	Ø8	PF 3/8	19 x 21,9	8	15	18	55
	Ø8	PF 1/2	22 x 25,4	8	15	20	57
	Ø10	PF 1/4	19 x 21,9	8	18	16	53
	Ø10	PF 3/8	19 x 21,9	8	18	18	55
	Ø10	PF 1/2	22 x 25,4	8	18	20	57
	1/8B	PF 1/4	19 x 21,9	8	18	16	53
	1/8B	PF 3/8	19 x 21,9	8	18	18	54
	1/8B	PF 1/2	22 x 25,4	8	18	20	57
	3/8B	PF 1/4	19 x 21,9	10	21	16	55
	3/8B	PF 3/8	19 x 21,9	10	21	18	57
	3/8B	PF 1/2	22 x 25,4	10	21	20	59
	1/2B	PF 1/4	19 x 21,9	10	21	16	55
	1/2B	PF 3/8	19 x 21,9	10	21	18	57
	1/2B	PF 1/2	22 x 25,4	10	21	20	59
	3/4B	PF 1/4	19 x 21,9	10	24	16	58
	3/4B	PF 3/8	19 x 21,9	10	24	18	60
3/4B	PF 1/2	22 x 25,4	10	24	20	62	

### Model No. | SS-GU10 Union Gauge (Pipe x Male)

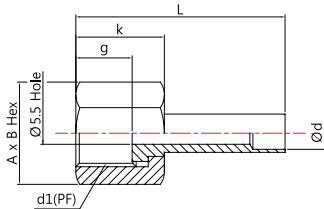
Dimensions (mm)



Model No.	Con'n(d1)	Con'n(d)	AxB Hex	g	k	f	L
Union Gauge (Pipe x PT)	Ø6	PT 1/4	19 x 21,9	8	15	14	51
	Ø6	PT 3/8	19 x 21,9	8	15	16	53
	Ø6	PT 1/2	22 x 25,4	8	15	18	55
	Ø8	PT 1/4	19 x 21,9	8	15	14	51
	Ø8	PT 3/8	19 x 21,9	8	15	16	53
	Ø8	PT 1/2	22 x 25,4	8	15	18	55
	Ø10	PT 1/4	19 x 21,9	8	18	14	51
	Ø10	PT 3/8	19 x 21,9	8	18	16	53
	Ø10	PT 1/2	22 x 25,4	8	18	18	55
	1/8B	PT 1/4	19 x 21,9	8	18	14	51
	1/8B	PT 3/8	19 x 21,9	8	18	16	53
	1/8B	PT 1/2	22 x 25,4	8	18	18	55
	3/8B	PT 1/4	19 x 21,9	10	21	14	53
	3/8B	PT 3/8	19 x 21,9	10	21	16	55
	3/8B	PT 1/2	22 x 25,4	10	21	18	57
	1/2B	PT 1/4	19 x 21,9	10	21	14	53
	1/2B	PT 3/8	19 x 21,9	10	21	16	55
	1/2B	PT 1/2	22 x 25,4	10	21	18	57
	3/4B	PT 1/4	19 x 21,9	10	24	14	56
	3/4B	PT 3/8	19 x 21,9	10	24	16	58
3/4B	PT 1/2	22 x 25,4	10	24	18	60	

### Model No. | SS-GU11 Union Gauge (Female x Pipe)

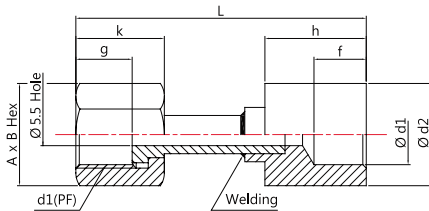
Dimensions (mm)



Model No.	Con'n(d1)	Con'n(d)	AxB Hex	g	k	L
Union Gauge (PF x Pipe)	PF 3/8	Ø6	22 x 25,4	14	22	52
	PF 3/8	Ø8	22 x 25,4	14	22	52
	PF 3/8	Ø10	22 x 25,4	14	22	52
	PF 3/8	1/8B	22 x 25,4	14	22	52
	PF 1/2	Ø6	27 x 31,1	16	24	54
	PF 1/2	Ø8	27 x 31,1	16	24	54
	PF 1/2	Ø10	27 x 31,1	16	24	54
	PF 1/2	1/8B	27 x 31,1	16	24	54

### Model No. | SS-GU12 Union Gauge (Female x Pipe)

Dimensions (mm)



Model No.	Con'n(d1)	Con'n(d)	AxB Hex	Ød2	g	k	f	h	L
Union Gauge (PF x Pipe)	PF 3/8	3/8B	22 x 25,4	26	14	22	10	21	69
	PF 3/8	1/2B	22 x 25,4	31,5	14	22	10	21	69
	PF 3/8	3/4B	22 x 25,4	40	14	22	13	24	72
	PF 1/2	3/8B	27 x 31,1	26	16	24	10	21	71
	PF 1/2	1/2B	27 x 31,1	31,5	16	24	10	24	71
	PF 1/2	3/4B	27 x 31,1	40	16	24	13	24	74